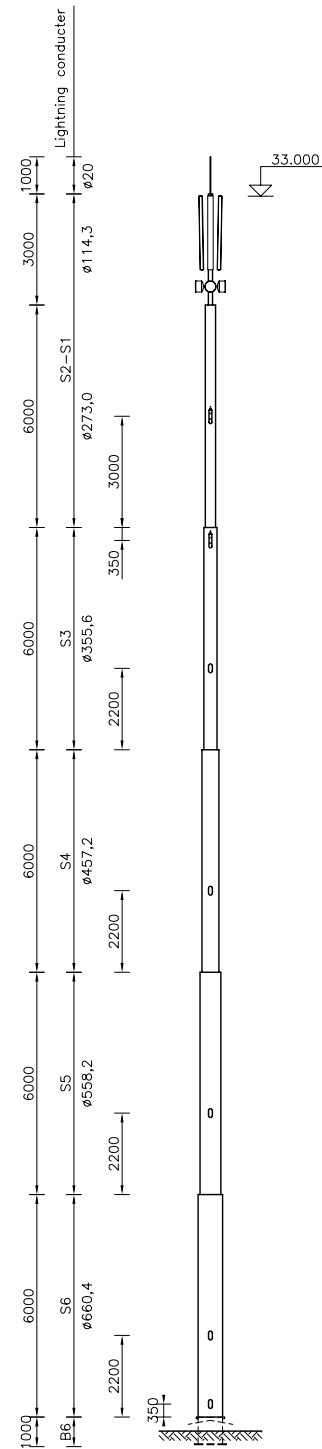


NOTE:

General note, see drawing 201

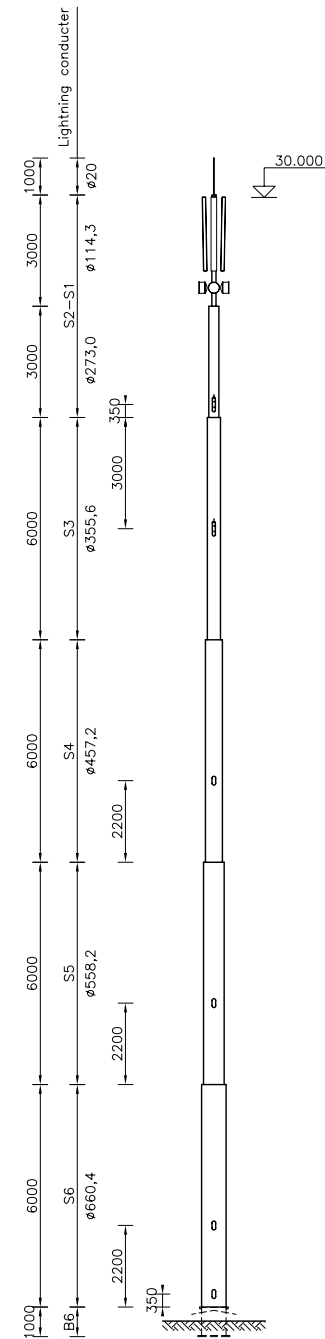
Bearing capacity, see capacity sheets

Slim Line monopoles can be delivered with or without safety ladder



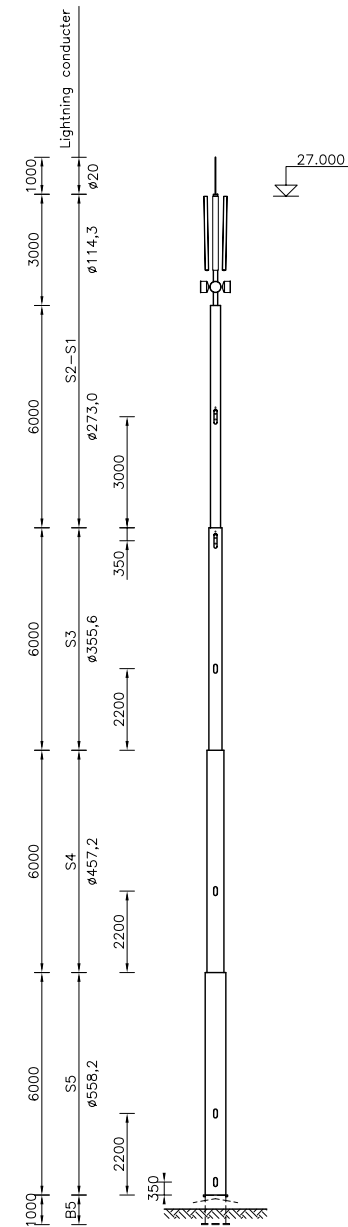
Monopole drawing 261
Cast-in part drawing 360
Template drawing 501

33 m Monopole, 1:100



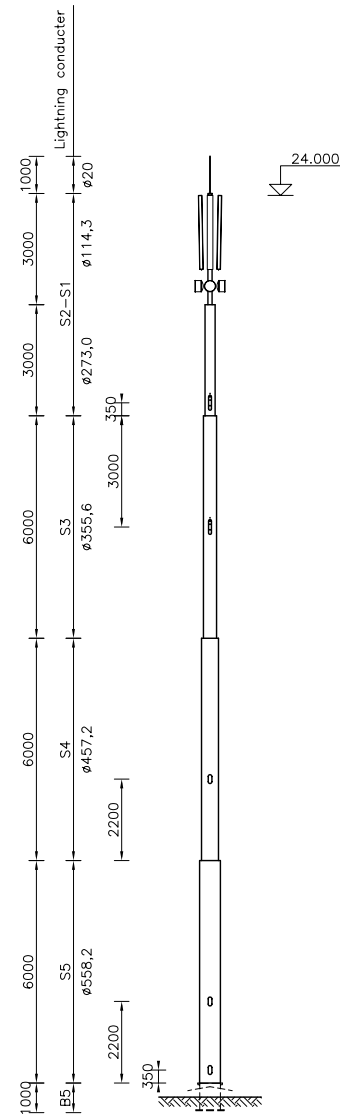
Monopole drawing 263
Cast-in part drawing 360
Template drawing 501

30 m Monopole, 1:100



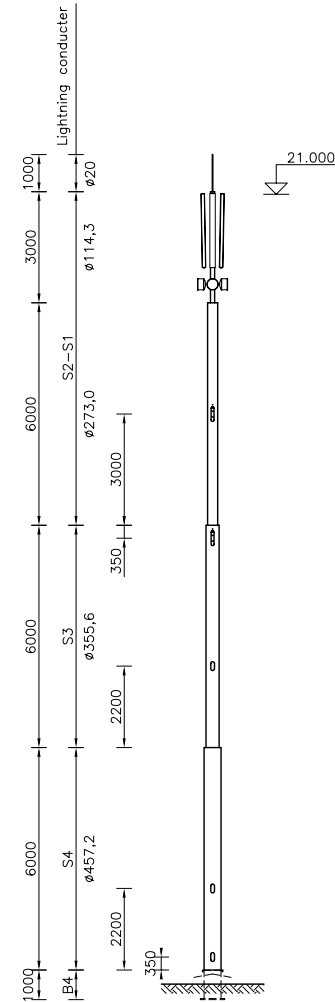
Monopole drawing 251
Cast-in part drawing 350
Template drawing 501

27 m Monopole, 1:100



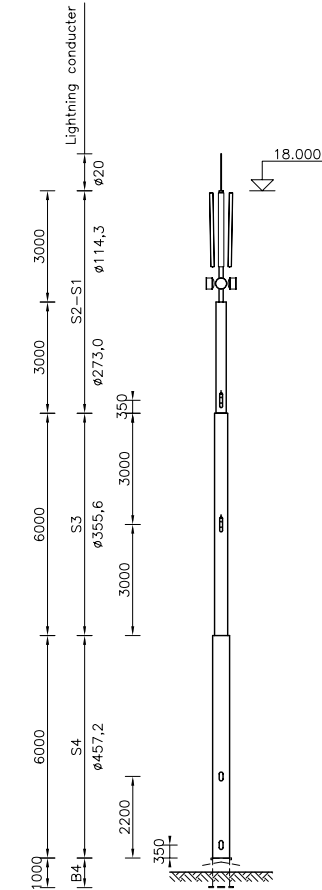
Monopole drawing 256
Cast-in part drawing 350
Template drawing 501

24 m Monopole, 1:100



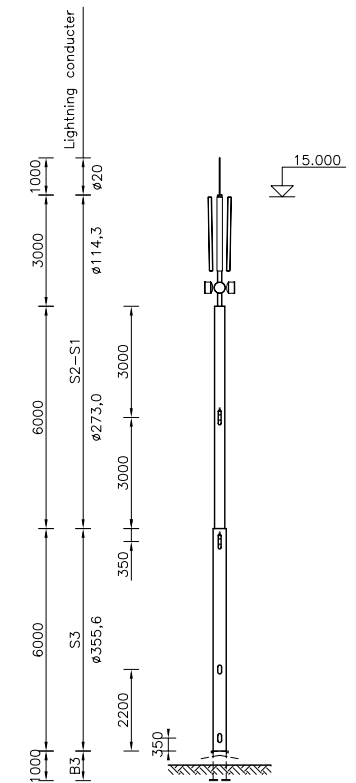
Monopole drawing 241
Cast-in part drawing 340
Template drawing 501

21 m Monopole, 1:100



Monopole drawing 243
Cast-in part drawing 340
Template drawing 501

18 m Monopole, 1:100



Monopole drawing 231
Cast-in part drawing 330
Template drawing 501

15 m Monopole, 1:100

© Rambøll Hannemann & Højlund A/S.
This drawing is the property of
Rambøll Hannemann & Højlund A/S.
It is forbidden in any way to reproduce,
show or hand it over to any third party
body without our written permission.

| Original paper size A1 | | | | | |
|----------------------------------|------------|-------------|---------|------------------------|------------|
| B | 2008.05.14 | MTXJ | RSK | Capacity sheet removed | |
| A | 2008.01.25 | | KRN | Item A changed | |
| Rev. | Date | Prepared | Checked | Approved | Rev. Date |
| B | 2006.11.29 | ESH | KRN | KRN | 2008.05.14 |
| Project | | Scale 1:100 | | | |
| Rambøll | | | | Bredevej 2 | |
| 33 m - 15 m Slim Line Monopole | | | | DK-2830 Virum | |
| | | | | Tlf 45 98 60 00 | |
| | | | | Fax 45 98 67 00 | |
| Lay-out Normal Monopoles, Type 1 | | | | File TKS-115 | |
| | | | | Drawing no. | |